

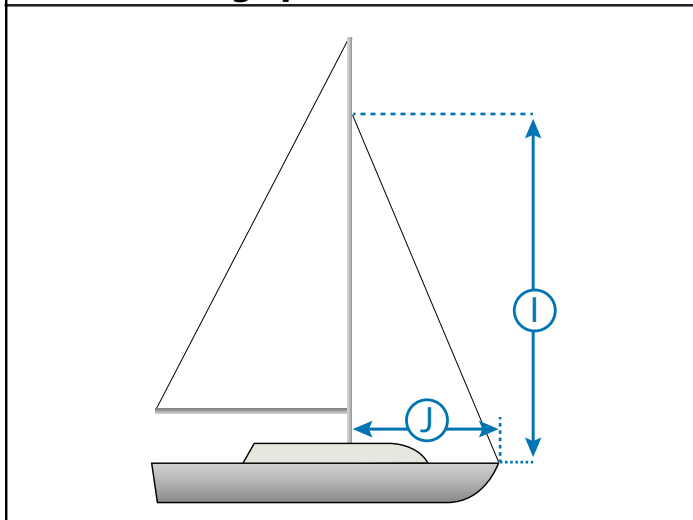
# Precision Sails Ltd Headsail/Staysail Measurement Form

Please fill out the appropriate sections as best you can. Precision Sails Ltd has a very large database of rig specifications and most of the time we do not require every piece of information. However, although we can build a great fitting sail without every measurement, your sail will always fit better if you can provide more measurements.

## Client Information

Order Number: _____	Boat Year and Make: _____
Name: _____	Sail Number: _____
Draft Stripe Colors: _____	

### 1. General Rig Specifications



*These are your Standard Rig Measurements. You can get these from your boat manufacturer, online or in your boat manual. You will measure these again later to determine what these are exactly for your boat.*

#### Standard Rig Measurements:

J. \_\_\_\_\_

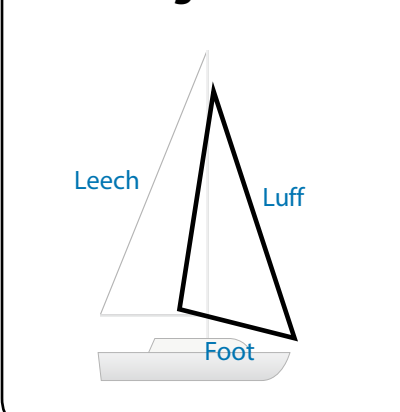
J. \_\_\_\_\_

DO NOT FILL THIS SECTION FROM YOUR OWN MEASUREMENTS. PLEASE USE ACTUAL RIG SPECS FROM MANUAL, MANUFACTURER, INTERNET OR OTHER SOURCE. THESE WILL VARY SLIGHTLY FROM YOUR MEASUREMENTS.

### 2. Video Tutorials

1. Click on the 📺 of each category to see a quick video on how to measure.
2. Click this 📺 for a measurement play-list

### 3. Existing Headsail



#### Measure Tip-to-Tip-to-Tip:

1. Lay the sail out on a flat surface: Grass, driveway or parking lot.
2. When you measure your sail we only need straight-line measurements between the tip of the head, the tack and the clew.
3. Your old sails will have distort over the years and therefore will only be used as a guideline. Do not try to account for stretch.
4. Do not try to measure any curves in the sail. We will take care of making the proper adjustments when we build your sail. Make sure to pull the sail tight before measuring.

Luff. \_\_\_\_\_ Measure the forward leading edge of your existing headsail.

Leech. \_\_\_\_\_ Measure the aft trailing edge of your existing headsail.

Foot. \_\_\_\_\_ Measure the bottom edge of your existing headsail.

### 4. Measurement Photos

1. Take photos of the measurements for your headsail.
2. Attach photos to email when sending in your measurement form.

## 5. Luff Details

**Luff Tape (Furling/Foil)**  
Does Your Sail Slide into a Furler?

**Wire Luff**  
Is There a Wire Built Into Your Sail?

**If you are Not using a Furling System see Next Page for Appropriate Form.**

## 7a. UV Protection 📷

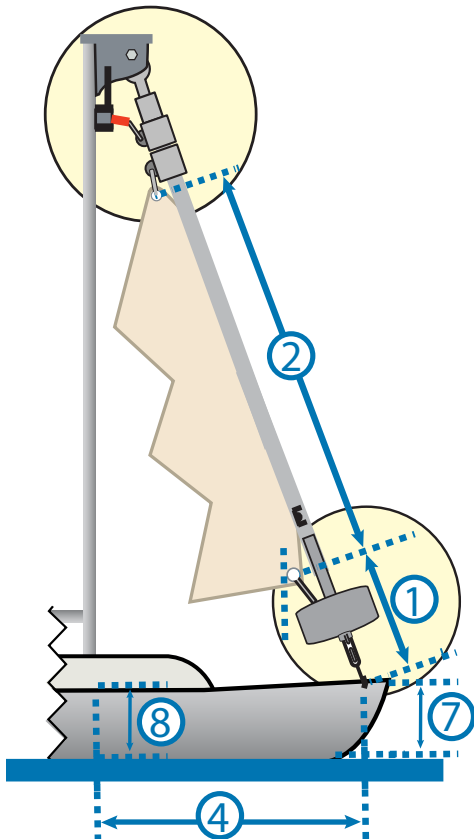
**Dacron UV:** Only in White

**Acrylic UV:** Select a Color Option Below

- Black       Captains Navy Blue       Navy Blue  
 Pacific Blue       Forest Green       Jockey Red  
 Natural (White)

## 10a. Water Line

7. \_\_\_\_\_ **Waterline to Forestay:** At the bow, measure the vertical distance from the waterline up to the intersection of the deck and forestay.
8. \_\_\_\_\_ **Waterline to Base:** At the chain plates, measure the vertical distance from the waterline up to the deck.



## 6a. Furling System - Usually Bolt Rope

1. \_\_\_\_\_ **Furling Drum Height:** Measure from the bearing point of tack fitting on top of the furling drum to the forestay intersection with the deck. 📷
2. \_\_\_\_\_ **Headsail Max Luff:** Measure from the furling top swivel attachment point to the bearing point of tack fitting on top of the furling drum. 📷

Furling Rotation Direction:  Clockwise (UV on Port)       Counter CW (UV on Starboard)

## 8a. Luff Specifications - Furler Information 📷

3. **Manufacturer:** \_\_\_\_\_

**Model/size:** \_\_\_\_\_

	Tape	Finished Size	Drill Bit
<input type="checkbox"/> #4		3.18m	1/8"
<input type="checkbox"/> #5		3.97m	5/32"
<input type="checkbox"/> #6		4.76m	3/16"
<input type="checkbox"/> #7		5.56m	7/32"
<input type="checkbox"/> #8		6.35m	1/4"

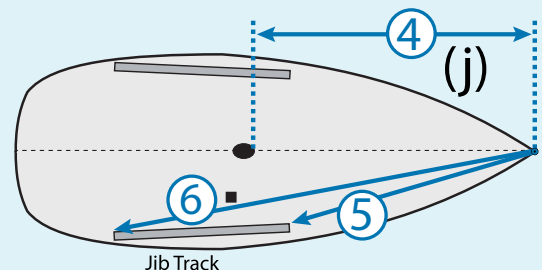
**Luff Tape Size:** Insert a drill bit into the entry point of the furling system luff groove to verify selection.

## Take Pictures of Furling System and Track Measurements

## 9a. Track Measurements

4. \_\_\_\_\_ **Foretriangle Base:** Measure along deck from the forestay to the Forward face of mast.
5. \_\_\_\_\_ **Fwd Jib Distance:** Measure from headstay pin to the Forward edge of Jib / Genoa track. 📷
6. \_\_\_\_\_ **Aft Jib Distance:** Measure from headstay pin to the Aft edge of Jib / Genoa track. 📷

Fixed Block       Track  
 Track on Cabin  
 Track on Deck



**No Furling - Usually Hanks, Zipper or Wire**

**Only Fill Out this Page if you are Not Using a Furling System**

**6b. Luff Specifications - Select Luff Type**

No / Yes	If Unsure Please Take Pictures
<input type="checkbox"/>	Hanks: Forestay Diameter: <input type="text"/>
<input type="checkbox"/>	Zipper: Is your sail attached with a zipper pocket over your forestay wire?
<input type="checkbox"/>	Wire: Does your sail have a wire built into the front?

**Take Pictures of Luff Type and Track Measurements**

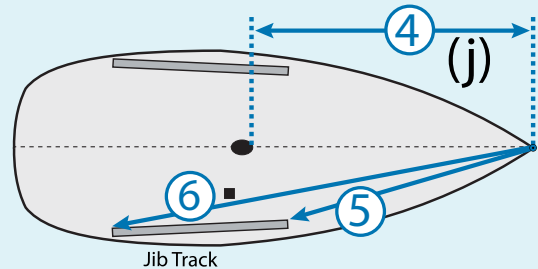
**7b. No Furling**

- \_\_\_\_\_ **First Hank:** Measure from *tack* to the first hank position on *headstay wire above turn buckle*.
- \_\_\_\_\_ **Headsail Max Luff:** Measure from top of halyard to the bearing point of tack fitting. 📷
- \_\_\_\_\_ **Foretriangle Height:** Measure from the top of halyard to the side deck on forward side of mast.

**8b. Track Measurements**

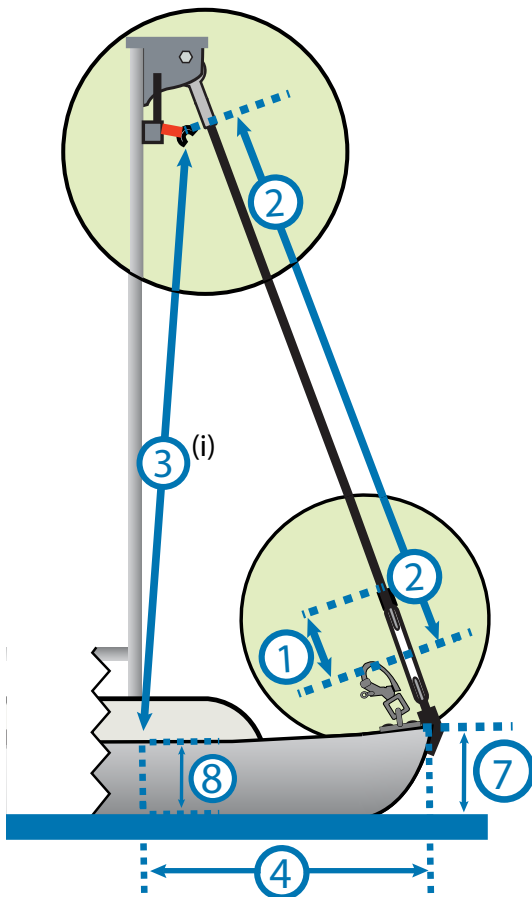
- \_\_\_\_\_ **Foretriangle Base:** Measure along deck from the forestay to the Forward face of mast.
- \_\_\_\_\_ **Fwd Jib Distance:** Measure from headstay pin to the Forward edge of Jib / Genoa track. 📷
- \_\_\_\_\_ **Aft Jib Distance:** Measure from headstay pin to the Aft edge of Jib / Genoa track. 📷

- Fixed Block     Track  
 Track on Cabin  
 Track on Deck



**10a. Water Line**

- \_\_\_\_\_ **Waterline to Forestay:** At the bow, measure the vertical distance from the waterline up to the intersection of the deck and forestay.
- \_\_\_\_\_ **Waterline to Base:** At the chain plates, measure the vertical distance from the waterline up to the deck.



***Additional Notes***

---

---

---

---

---

---

---

---

---

---

---

---

---

---

---

---

---

---